

ECC 85

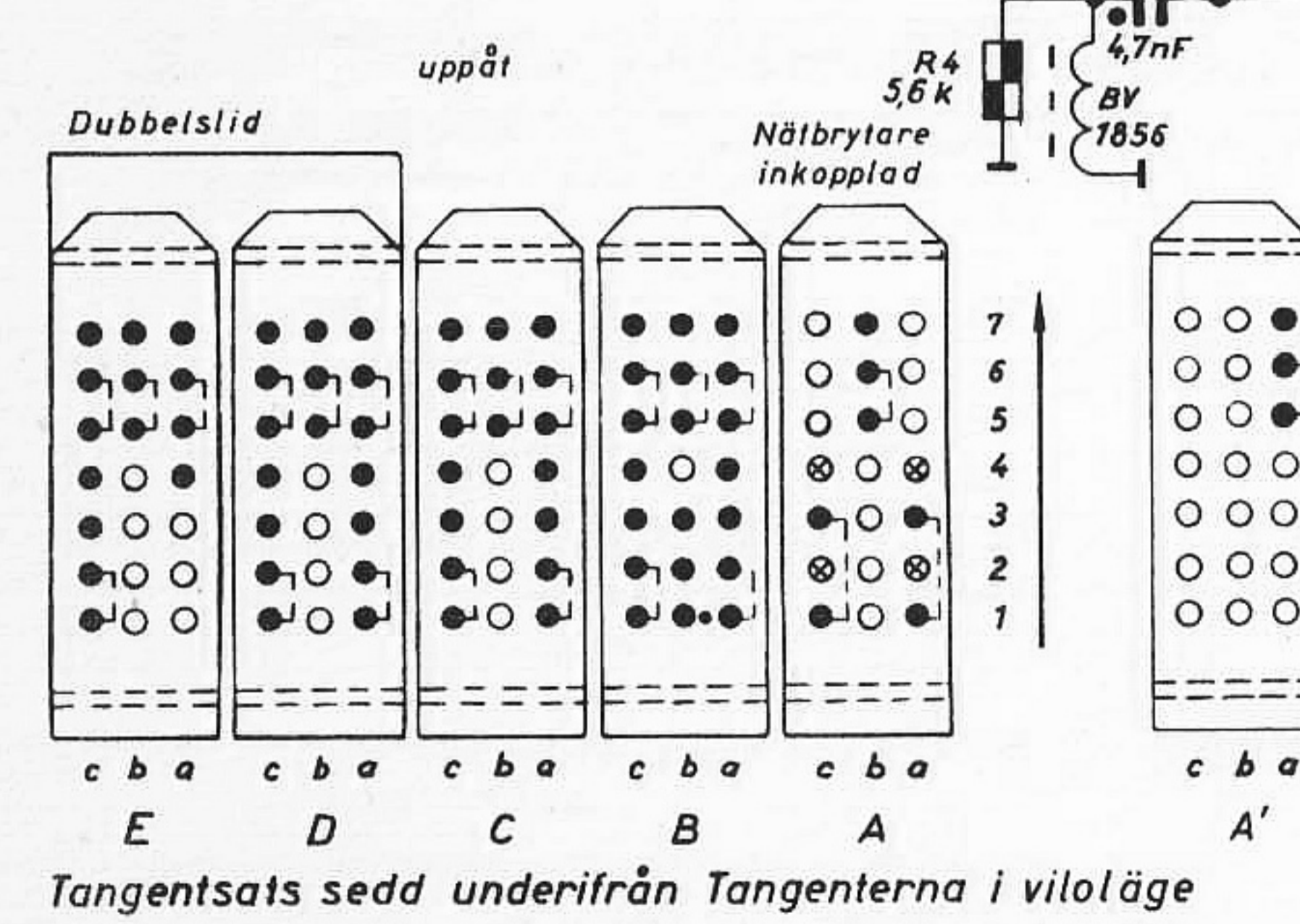
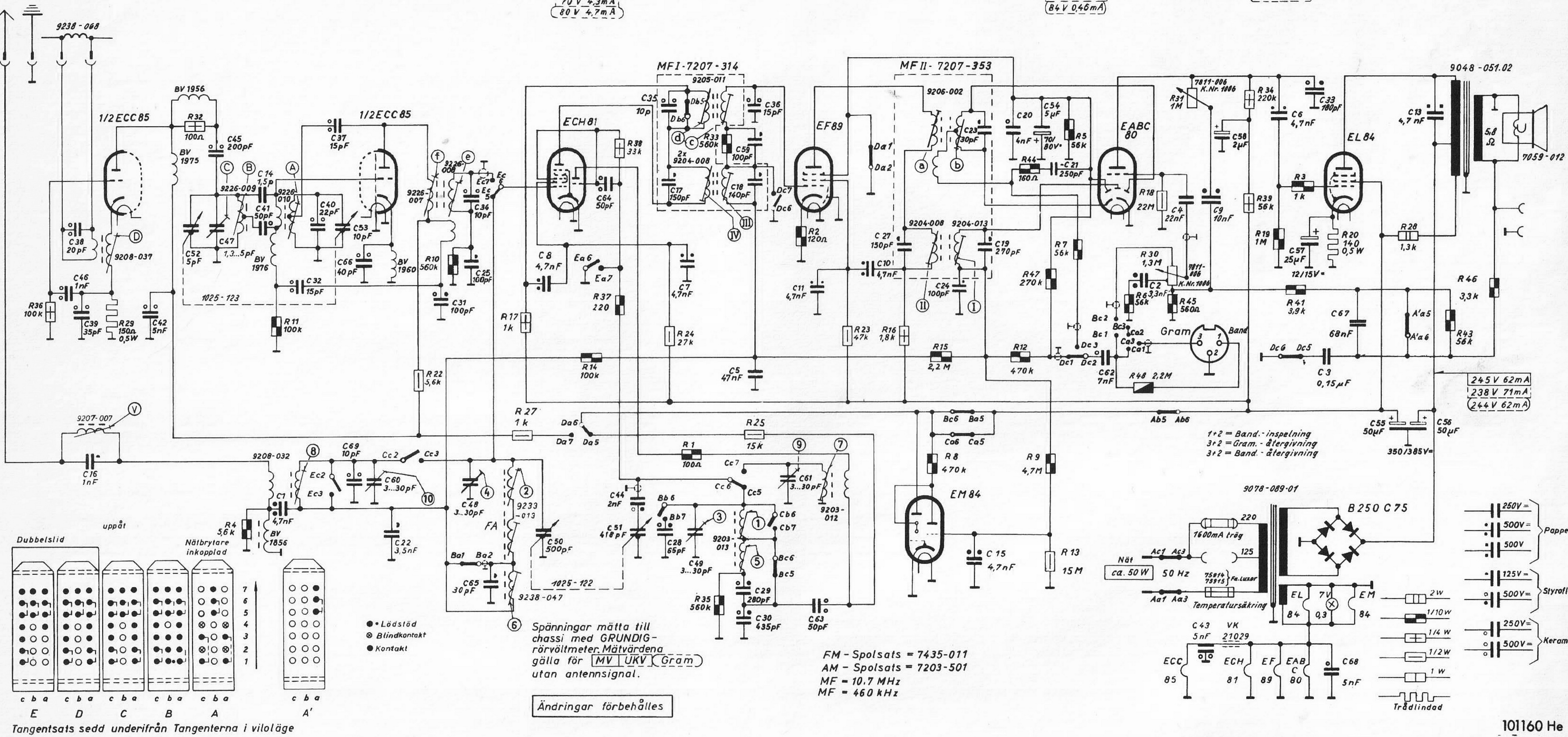
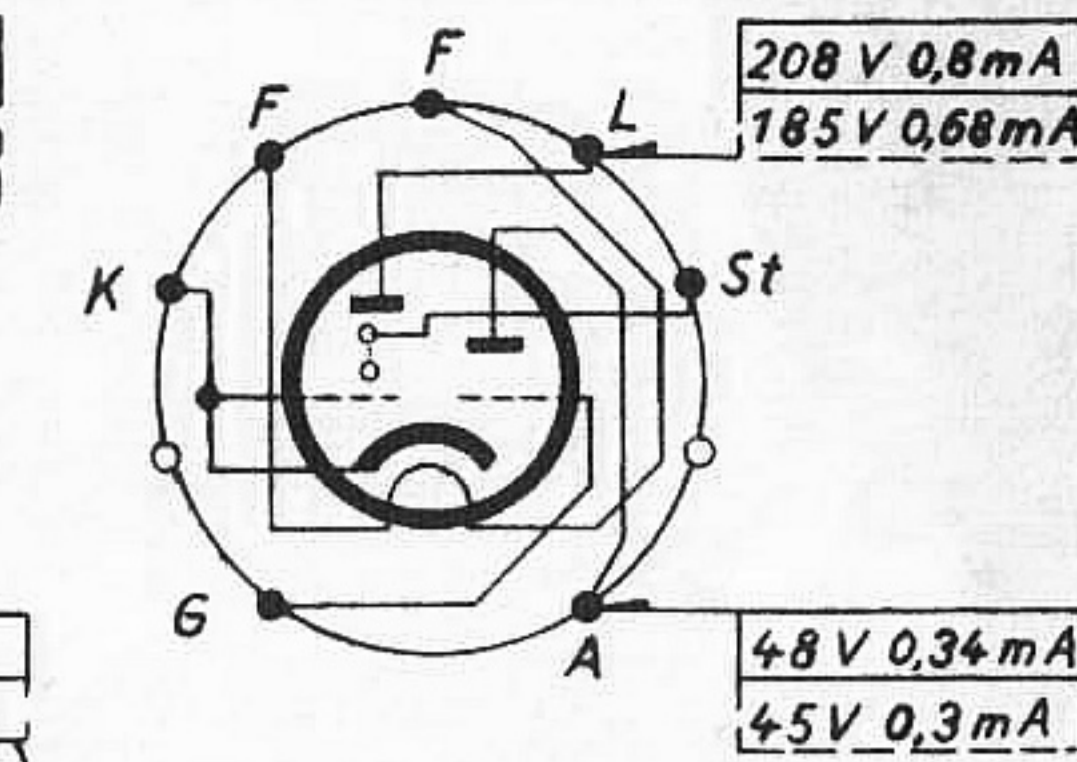
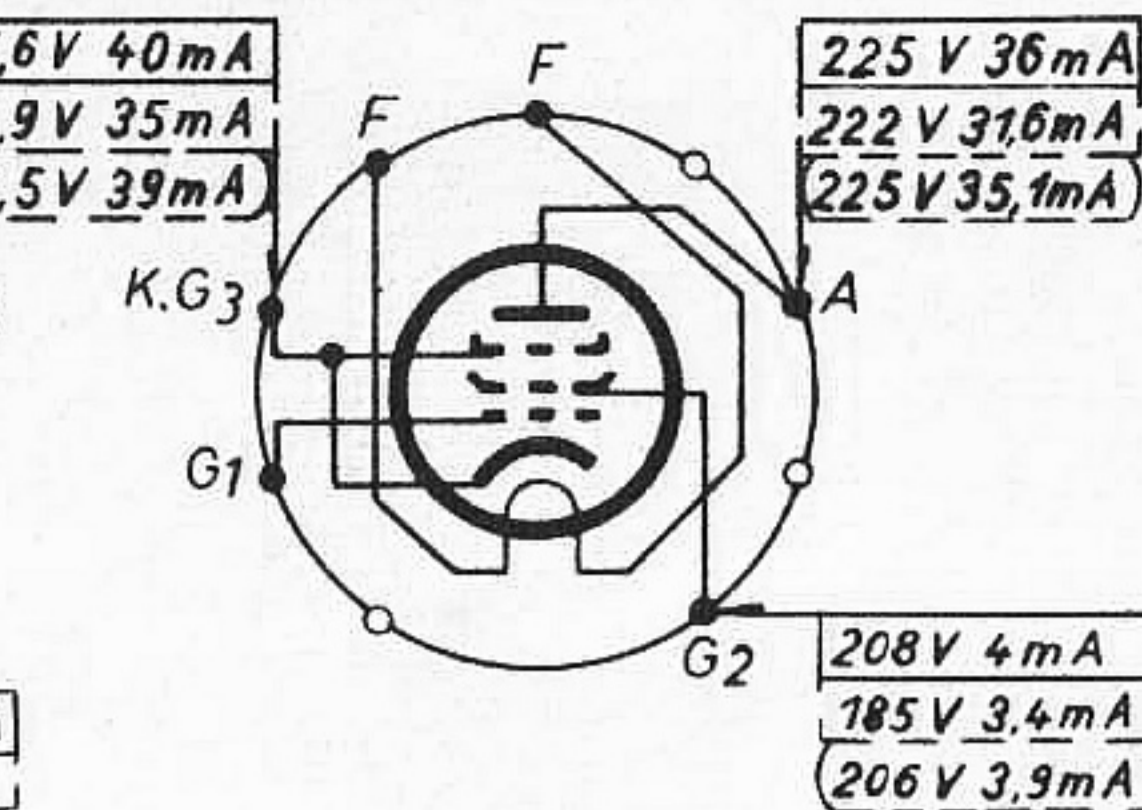
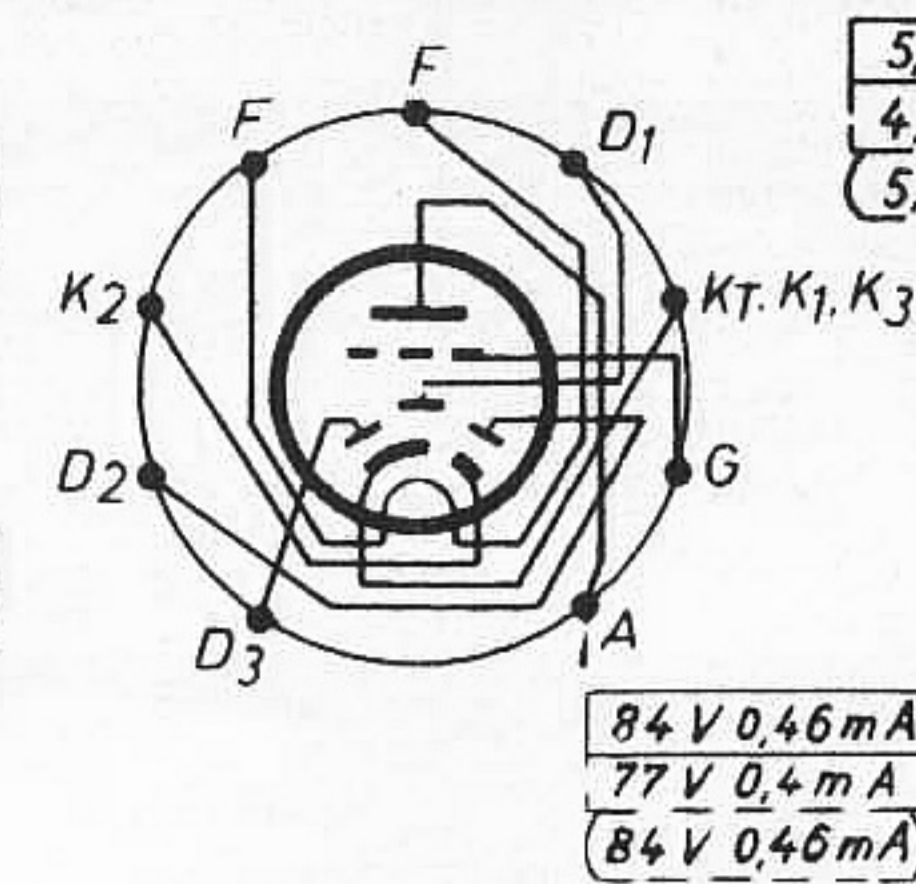
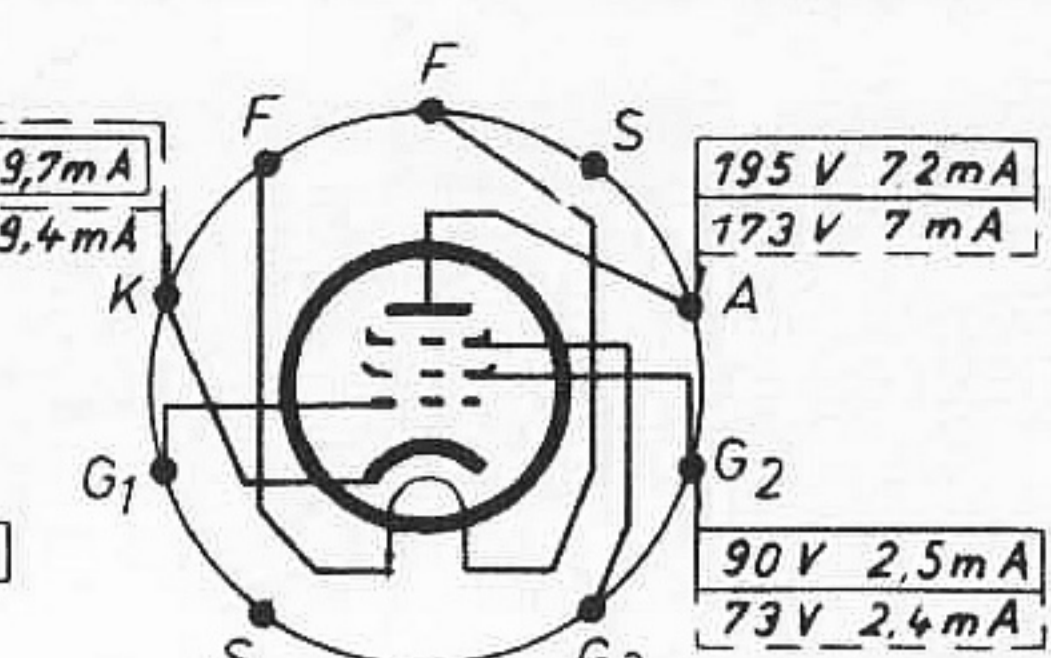
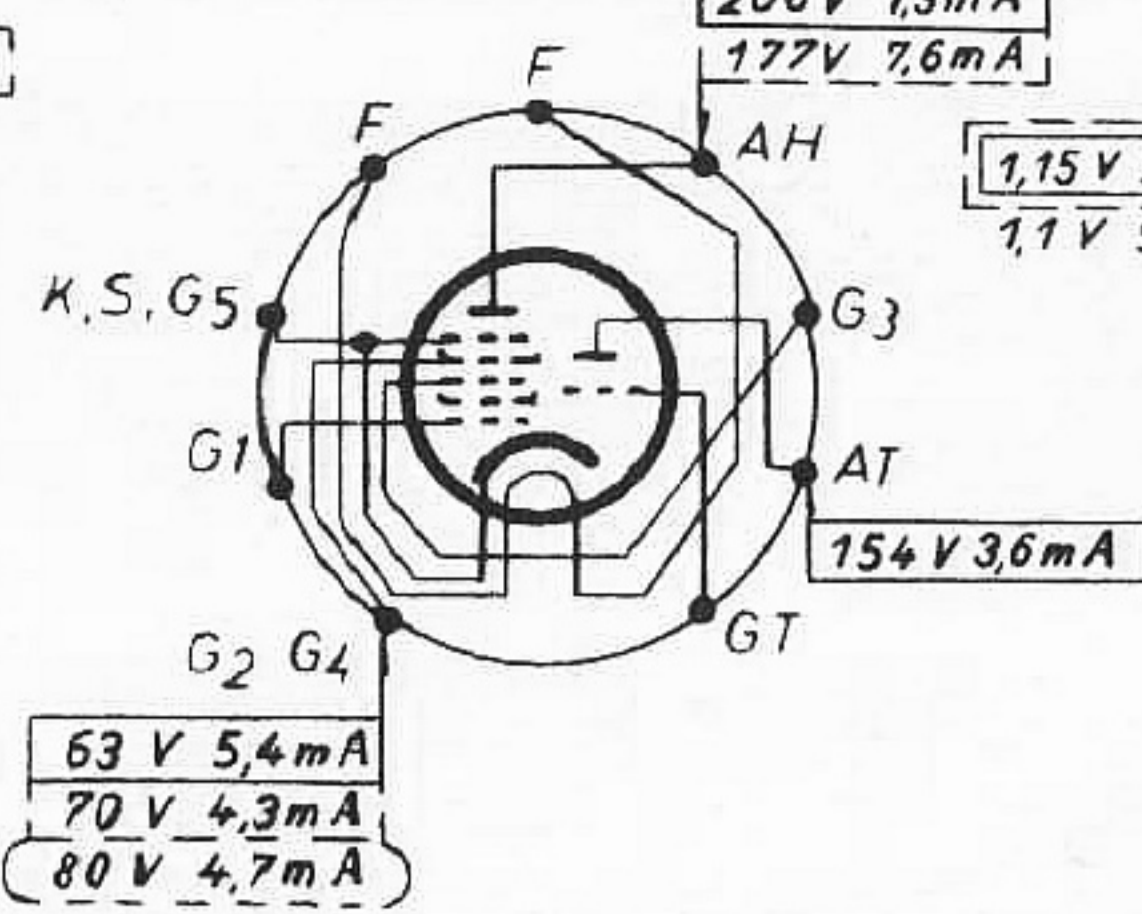
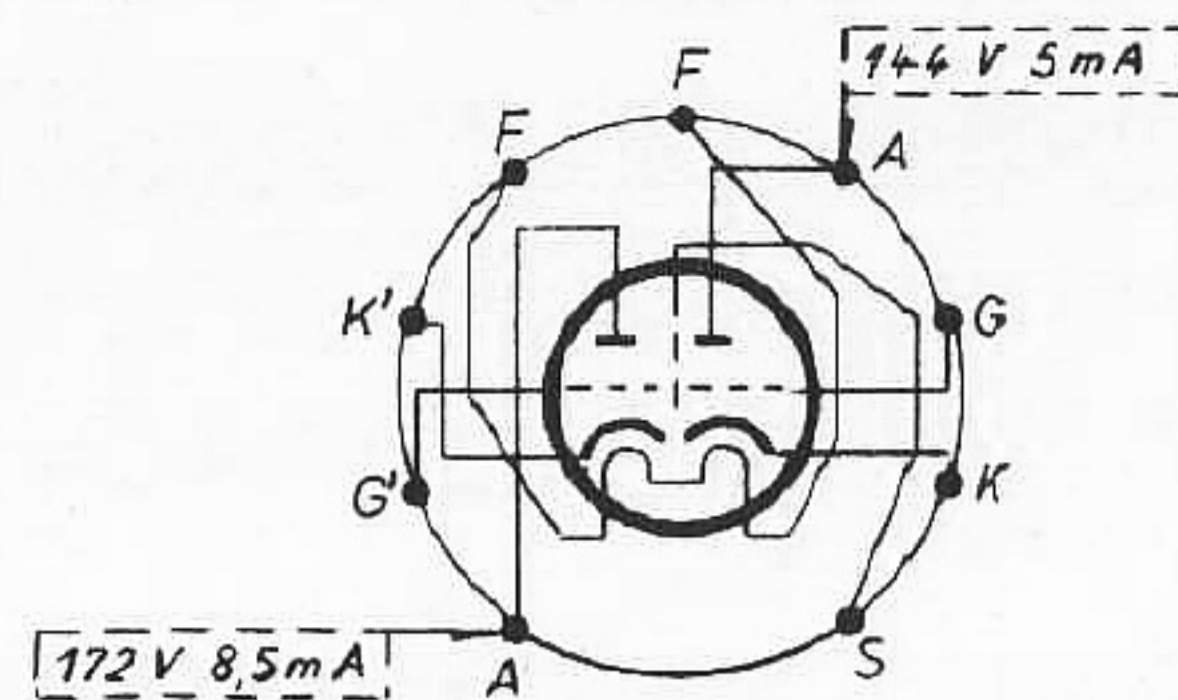
ECH 81

EF 89

EABC80

EL 84

EM 84



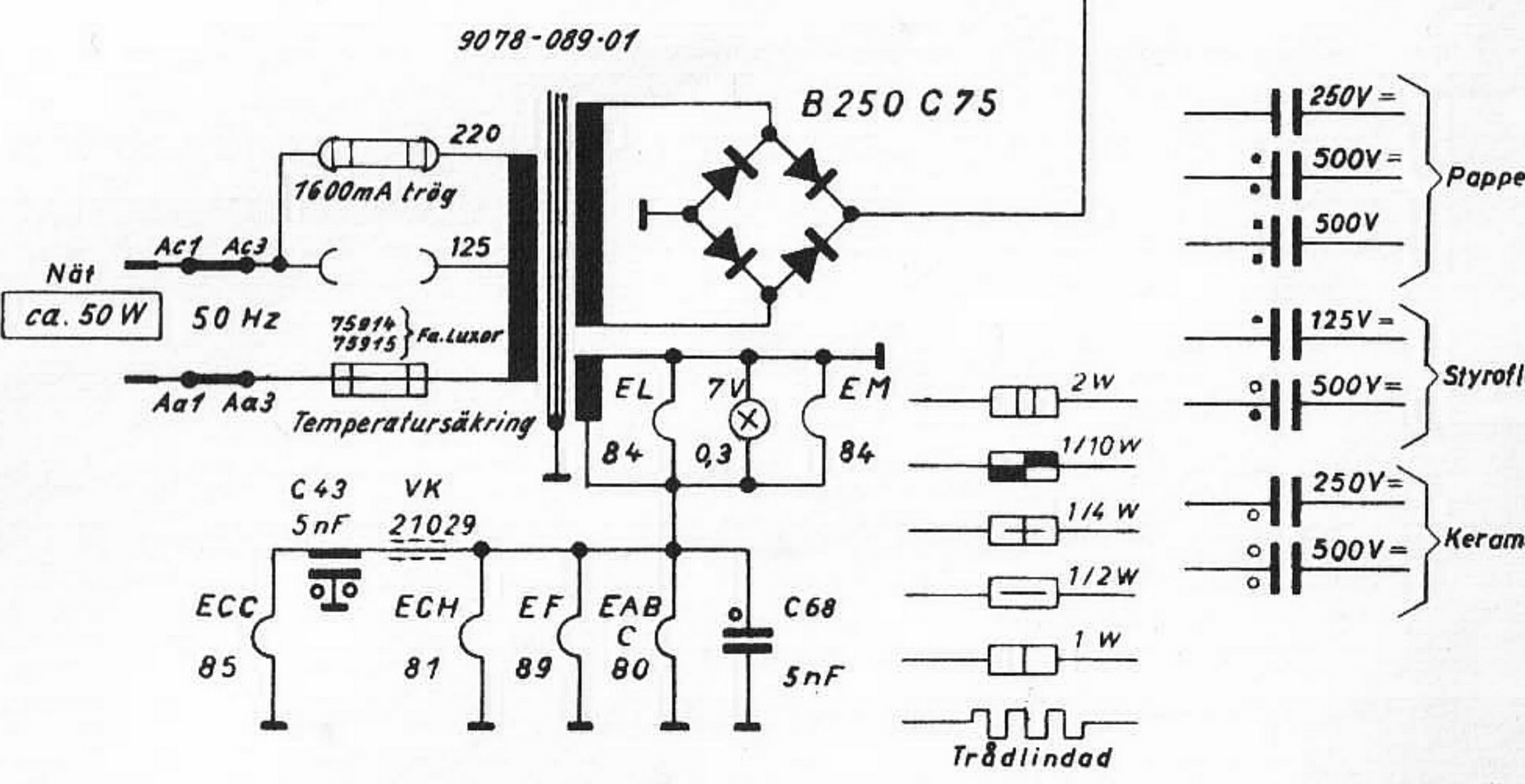
- Lödstöd
- ⊙ Blindkontakt
- Kontakt

Spänningar mätta till chassi med GRUNDIG-rörvoltmeter. Mätvärdena gälla för [MV] [UKV] [Gram] utan antensignal.

Ändringar förbehålles

FM - Spolsats = 7435-011  
 AM - Spolsats = 7203-501  
 MF = 10.7 MHz  
 MF = 460 kHz

1+2 = Band - inspelning  
 3+2 = Gram - återgivning  
 3+2 = Band - återgivning



- 250V = Papper
- 500V = Styroflex
- 125V = Styroflex
- 500V = Styroflex
- 250V = Keramik
- 500V = Keramik

C:	16, 46, 38, 39,	42,	52, 45, 47,	41, 1, 14,	32, 40, 37, 33, 66,	60, 22,	31,	48, 34,	65,	25, 50, 8,	64, 51, 44, 28, 35, 17, 49,	7,	36, 59, 10, 5,	30, 61, 11, 63,	10,	27,	24, 15, 23, 19,	20, 21, 54,	62,	2,	4, 9,	43, 58,	6,	57, 3, 67, 68, 33,	55,	56, 13,	
R:	36,	29,	32,	4,	11,	22,	10,	27, 17,	14,	37, 38,	24, 1,	33, 35, 25,	2,	23,	16,	8, 15,	44, 12, 47, 13, 9, 5,	7,	6,	48, 18,	30, 45,	31,	34,	39, 19, 41, 3,	20,	28,	43, 4, 6,